

## Advantages of the MDX series

MDX series machines offer the following advantages:

- magnetic path measurement system (maintenance-free)
- Siemens S7 controller
- compact MCI ink dispensing system with radial ink cup fixing - for longer squeegee ring life
- print head movement (option)
- movement can be separately regulated using throttles
- printing in recesses possible due to longer displacements
- high compressive force
- low maintenance and noise
- swivel head variants possible (45°-90°)
- MCI or oval ink cups up to 226 mm long
- freely user-programmable output
- fully automatic pad cleaning device (option)



MDX 100 on machine frame with protective housing and photoelectric barrier

## MCI ink cup system

**Longer service life! Refill and continue to print,** it could not be more simple to enjoy the advantages of the new ink cup generation.

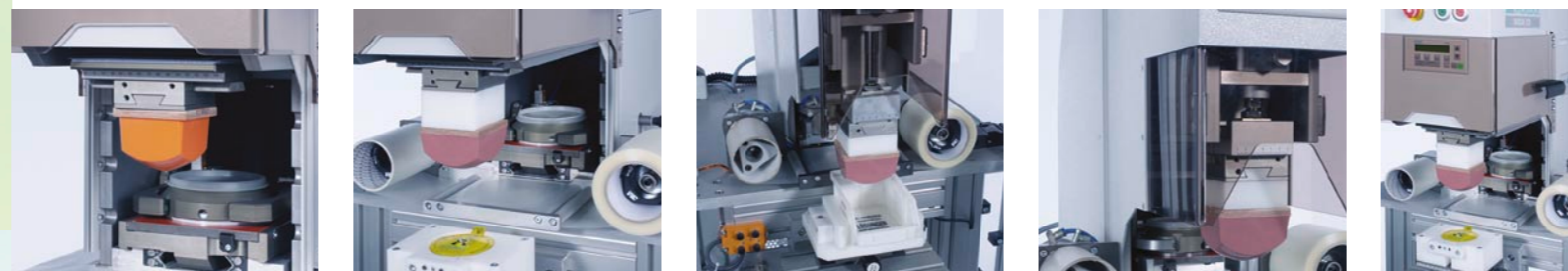
This innovation represents a decisive breakthrough for us in terms of offering longer service life, reduced need for replacement parts, shorter set-up times and overall simpler operation. ITW Morlock introduces proven oval ink cups for **long and narrow** printed images.



## Quicker, simpler cliché change

No tools required – short set-up times

The MCI ink cup is unlocked by a lever to **change clichés or ink cups**. Then just open the cliché clamp using an Allen key before pulling the cliché and ink cup away from one another to separate them.



## MORLOCK MDX series

MDX 100	MDX 125-250
MDX 100 S	MDX 125 L-250
MDX 125	MDX 125 S-250
MDX 125 L	MDX 125-150
MDX 125 S	

english language version | date 11.2010

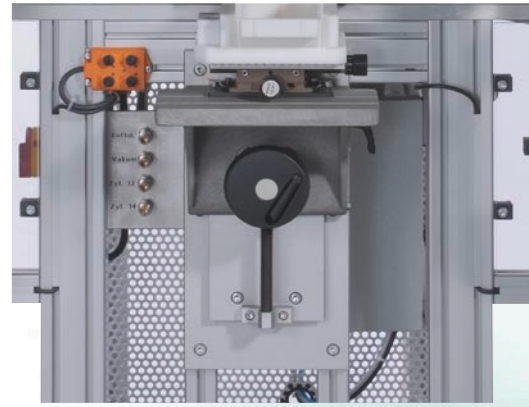
ITW MORLOCK GmbH  
An ITW Decorating Company

Lise-Meitner-Straße 9  
D-72280 Dornstetten

fon +49 (7443) 285-0  
fax +49 (7443) 285-299

info@morlock.de  
www.morlock.de





## MDX series

High performance, reliability and flexibility of use are the distinguishing features of the MDX series.

All MDX machines provide the best **level of safety** in compliance with the current CE standard as well as optimum user-friendliness and excellent operational safety.

Equipped with the new **Siemens S7 controller**, the MDX offers excellent scope for integration into automated systems and connection to peripheral devices.



## Areas of use

MDX series machines are equally suitable for **integration into automated systems** or for use as **manual workstations**.

A **fully automatic pad cleaning device** is available as an option. This series of machines has an extended displacement as standard.

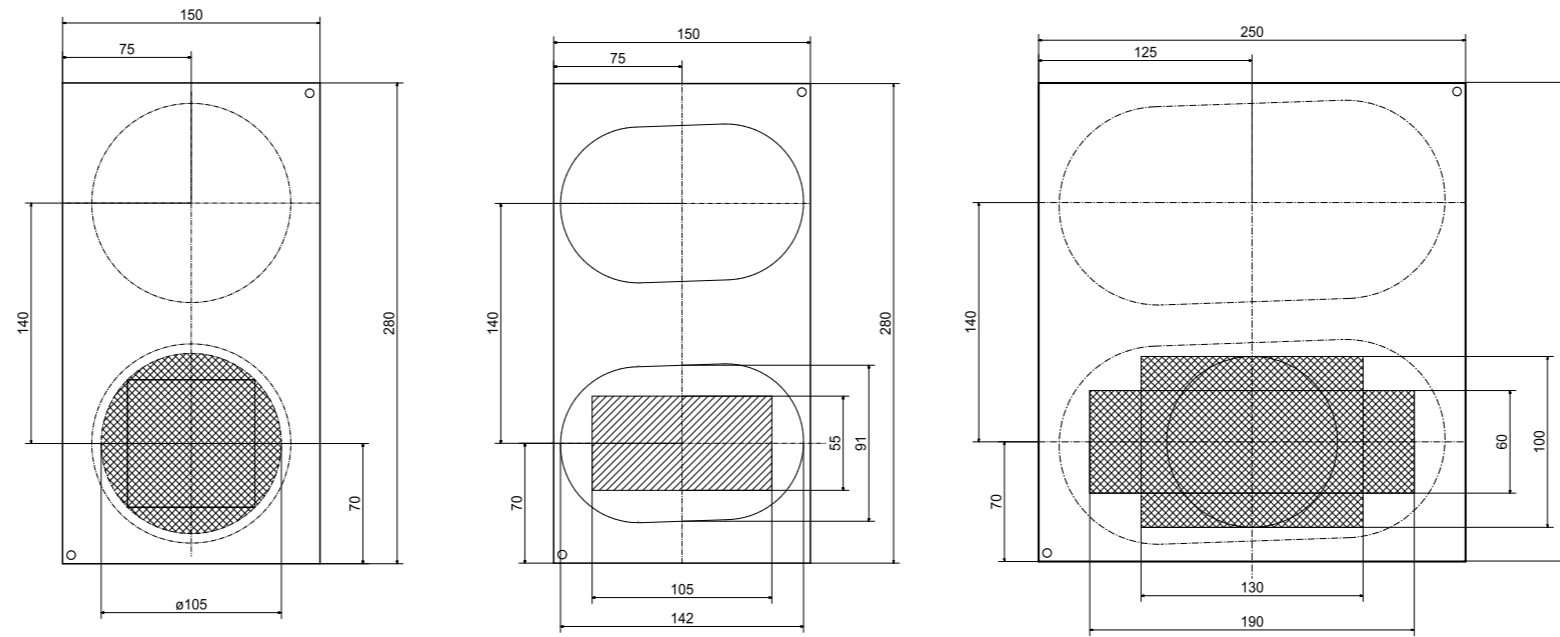


MDX 125 S

## Flexible swivel head

The MDX 100 S, MDX 125 S and MDX 125 S-250 belong to a series of swivel head machines for integration into automated processes. The **swivel angle is infinitely adjustable** over a range of 45°-90°.

The MDX 100 S series machines are designed to be compact, space-saving machines and can be fitted with a fully automatic pad cleaning device as an option.



## Technical specifications

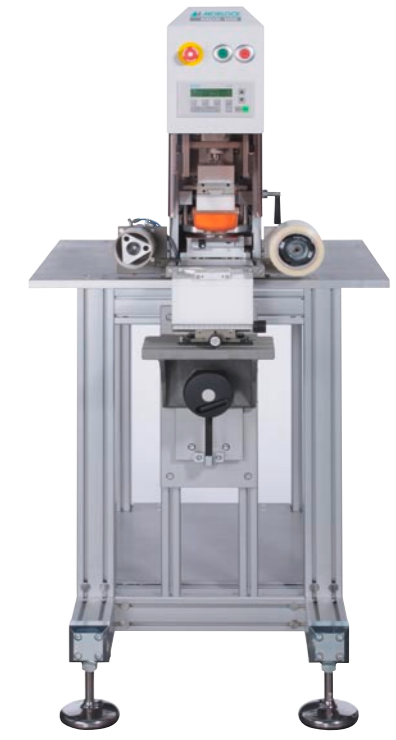
MDX SERIES:	MDX 100	MDX 100 S	MDX 125	MDX 125 L	MDX 125 S	MDX 125-250	MDX 125 L-250	MDX 125 S-250	MDX 125-150
<b>Cliché size</b>	100 x 210 mm (or 100 x 215 mm)	100 x 210 mm (or 100 x 215 mm)	150x280 mm	150x280 mm	150x280 mm	250x280 mm	250x280 mm	250x280 mm	160x300 mm
<b>Ink cup size, round</b>	MDX 100 / MCI 100	MDX 100 / MCI 100	MCI 125	MCI 125	MCI 125				MCI 150
<b>Ink cup size, oval</b>			MFT 100 oval	MFT 100 oval	MFT 100 oval	MFT 250 oval	MFT 250 oval	MFT 250 oval	
<b>Max. print size, round</b>	80 mm or 75mm	80 mm or 75mm	105 mm	105 mm	105 mm	-	-	-	130 mm
<b>Max. print size, oval</b>	-	-	55 x 105 mm	55 x 105 mm	55 x 105 mm	60 x 190 mm or 100 x 130 mm	60 x 190 mm or 100 x 130 mm	60 x 190 mm or 100 x 130 mm	
<b>Pad stroke</b>	160 mm vertical, out of which 80 mm is below the machine level	100 mm vertical	200 mm vertical, out of which 110 mm is below the machine level	200 mm vertical, out of which 110 mm is below the machine level	160 mm vertical	200 mm vertical, out of which 110 mm is below the machine level	200 mm vertical, out of which 110 mm is below the machine level	160 mm vertical	200 mm vertical, out of which 110 mm is below the machine level
<b>Printing head movement</b>	120 mm Horizontal displacement (optional)			150 mm horizontal displacement			150 mm horizontal displacement		
<b>Swivel angle</b>	-	45-90° infinitely adjustable	-	-	45-90° infinitely adjustable	-	-	45-90° infinitely adjustable	-
<b>Compression force, max. preset in the factory:</b>	1,100 N (110 kp)	1,100 N (110 kp)	1,100 N (110 kp)	1,100 N (110 kp)	1,100 N (110 kp)	1,500 N (150 kp)	1,500 N (150 kp)	1,100 N (110 kp)	1,500 N (150 kp)
<b>Speed cycles/h preset in the factory:</b>	1,400 cycles/h	1,200 cycles/h	1,400 cycles/h	1,300 cycles/h	1,200 cycles/h	1,200 cycles/h	1,200 cycles/h	1,200 cycles/h	1,400 cycles/h
<b>Printing capacity pneumatically regulated:</b>	max. 1,800 cycles/h	max. 1,800 cycles/h	max. 1,600 cycles/h	max. 1,600 cycles/h	max. 1,500 cycles/h	max. 1,600 cycles/h	max. 1,600 cycles/h	max. 1,500 cycles/h	max. 1,600 cycles/h
<b>Drive:</b>	pneumatic	pneumatic	pneumatic	pneumatic	pneumatic	pneumatic	pneumatic	pneumatic	pneumatic
<b>Control system:</b>	PLC SIEMENS S7	PLC SIEMENS S7	PLC SIEMENS S7	PLC SIEMENS S7	PLC SIEMENS S7	PLC SIEMENS S7	PLC SIEMENS S7	PLC SIEMENS S7	PLC SIEMENS S7
<b>Electrical connection:</b>	120-230 V - 50/60 Hz	120-230 V - 50/60 Hz	120-230 V - 50/60 Hz	120-230 V - 50/60 Hz	120-230 V - 50/60 Hz	120-230 V - 50/60 Hz	120-230 V - 50/60 Hz	120-230 V - 50/60 Hz	120-230 V - 50/60 Hz
<b>Path measurement:</b>	contactless magnetic sensor	contactless magnetic sensor	contactless magnetic sensor	contactless magnetic sensor	contactless magnetic sensor	contactless magnetic sensor	contactless magnetic sensor	contactless magnetic sensor	contactless magnetic sensor
<b>Control voltage:</b>	24 V	24 V	24 V	24 V	24 V	24 V	24 V	24 V	24 V
<b>Power consumption:</b>	approx. 100 W	approx. 100 W	approx. 100 W	approx. 100 W	approx. 100 W	approx. 100 W	approx. 100 W	approx. 100 W	approx. 100 W
<b>Air consumption:</b>	max. 6,5 NL / 6 bar	max. 6,5 NL / 6 bar	max. 7 NL / 6 bar	max. 7 NL / 6 bar	max. 6,5 NL / 6 bar	max. 7,5 NL / 6 bar	max. 7,5 NL / 6 bar	max. 6,5 NL / 6 bar	max. 7 NL / 6 bar
<b>Weight:</b>	approx. 52 kg	approx. 65 kg	approx. 95 kg	approx. 100 kg	approx. 95 kg	approx. 105 kg	approx. 100 kg	approx. 100 kg	approx. 95 kg
<b>Dimensions (WxBxH): approx.</b>	190 x 850 x 610 mm	190 x 850 x 610 mm	260 x 878 x 656 mm	260 x 1030 x 656 mm	260 x 1000 x 656 mm	360 x 878 x 656 mm	360 x 878 x 656 mm	360 x 1000 x 656 mm	260 x 878 x 656 mm
<b>Printing capacity:</b>	1,100 cycles/h	1,100 cycles/h	1,100 cycles/h	1,000 cycles/h	1,000 cycles/h	1,000 cycles/h	1,000 cycles/h	1,000 cycles/h	1,000 cycles/h
<b>Speed:</b>	max. 1,500 cycles/h	max. 1,500 cycles/h	max. 1,500 cycles/h	max. 1,400 cycles/h	max. 1,400 cycles/h	max. 1,400 cycles/h	max. 1,400 cycles/h	max. 1,400 cycles/h	max. 1,400 cycles/h
<b>OPTION pad cleaning device</b>	Pad cleaning device only in conjunction printing head movement (L)	<b>with pad cleaning device</b>	-	<b>with pad cleaning device</b>	<b>with pad cleaning device</b>	-	<b>with pad cleaning device</b>	<b>with pad cleaning device</b>	<b>with pad cleaning device</b>
<b>Dimensions (WxBxH): approx.</b>	407 x 850 x 610 mm	407 x 850 x 610 mm		500 x 1030 x 656 mm	487 x 1000 x 656 mm		500 x 1030 x 656 mm	590 x 1000 x 656 mm	590 x 1000 x 656 mm

These technical data specifications refer to the state at the time of printing. We reserve the right to modify specifications in the interest of a continuous program of further development. Subject to deviations and mistakes.

With the print head movement option, the MDX covers a wide range of applications.



Specific modifications are also available on request: The illustration shows an MDX 125 S with two ink cups.



MDX 100 on machine frame



MDX 125



MDX 125-250 on machine frame with protective housing and photoelectric barrier